



SHY CONSTON SYSTEM
FOR ROLLER SCREENS

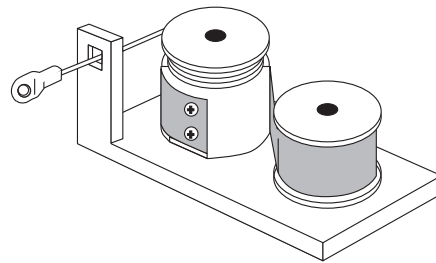
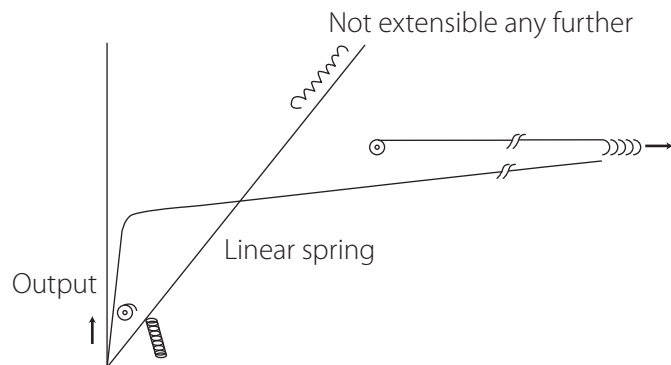
SHY CONSTON SYSTEM

Features

With "SHY CONSTON" applied, the constant torque revolving mechanism can be obtained.

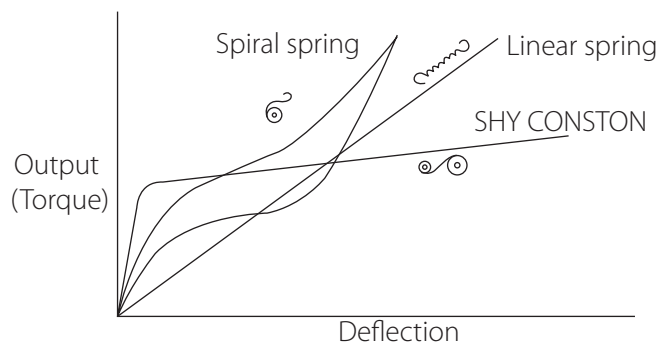


- Reaches maximum output in half rotation of drum.
- Then its output can be nearly fixed.
- The wire can be contained compactly in small drum, much longer than linear spring.

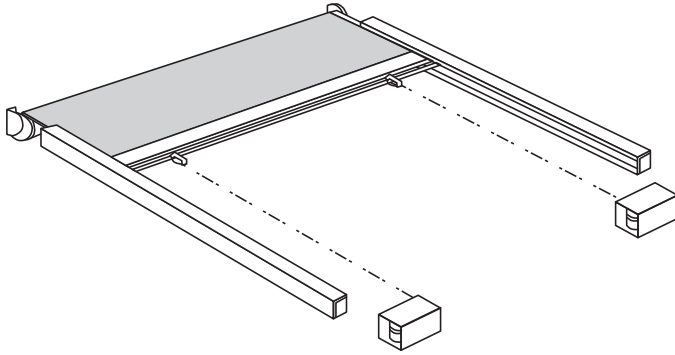


CONSTANT FORCE SPRING

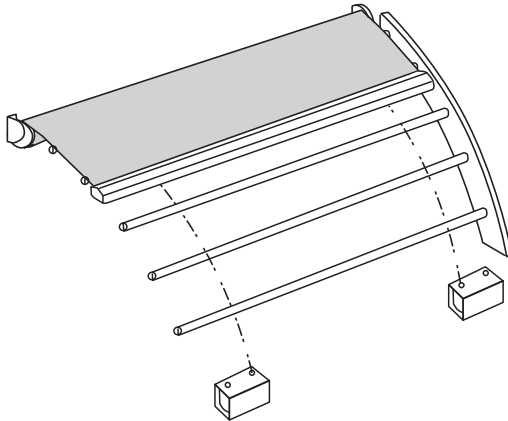
The output hardly changes its value regardless of the wire length.



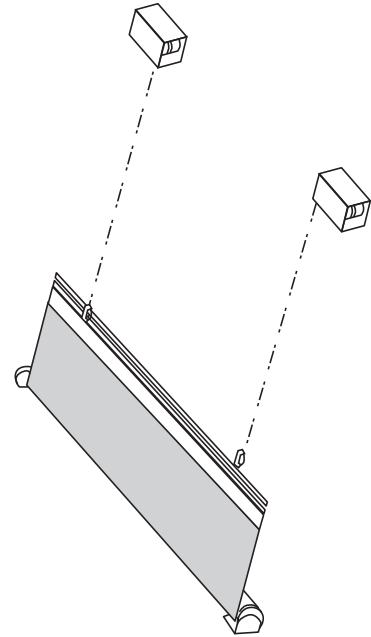
Horizontal



Curve

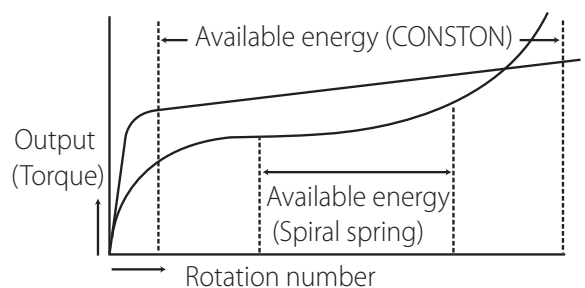
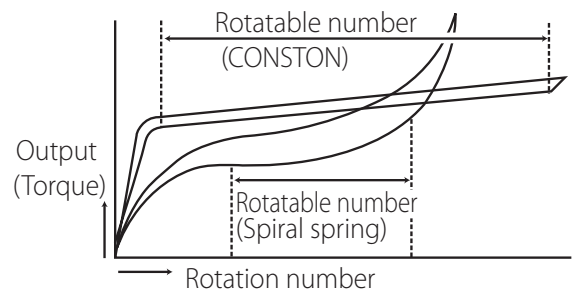


Bottom-up (Climber)

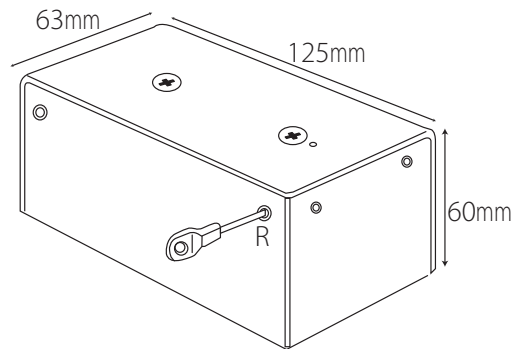
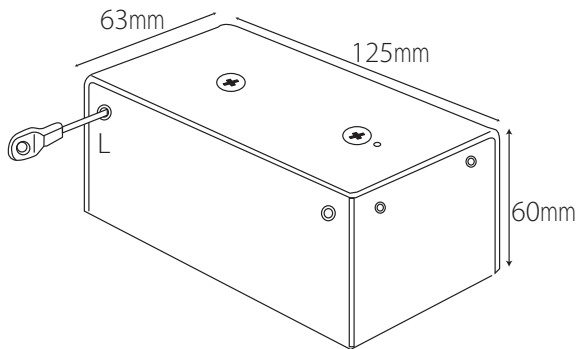


Comparison with Spiral spring

- ▲ The output hardly changes its value regardless of the rotation number.
- ▲ Able to rotate almost its full length.
- ▲ Constant torque maintains over a long time.
- ▲ High efficiency, no energy loss due to without friction between coils.
- ▲ Thus no need lubricating oil.
- ▲ The output reaches high level immediately with slight rotation.
- ▲ With constant output, adjustment by governor is unnecessary in many case. Structure is simple, thus, troubles seldom occur.
- ▲ Torque is not elevated with higher coiling tightness. Thereby, coiling can be made easy, and parts with less strength can be used.



SHY CONSTON75



SHY CONSTON75 (L/R Pairs)

ITEM	Torque	Wire length
CS7512M	1.2kgf	3,000mm
		4,000mm
CS7528M	2.8kgf	3,000mm
		4,000mm
CS7532M	3.2kgf	3,000mm
		※4,000mm

※in-stock

SHY SHY CO.,LTD.

Head Quarters
 3455 Tsuoki,Sendo-machi,Tsu City,Mie PREFE,Japan 514-0801
 TEL +81-59-226-3334 FAX +81-59-224-8841 E-mail overseas@shyzip.com
 Tokyo Branch
 7F,UF Building 5,46-3 Kandasakumagashi,Chiyoda-ku,Tokyo,101-0026,Japan
 TEL +81-3-5822-2282 FAX +81-3-5822-2283



15.02.1000