

For the earth and human-beings

# SILENT ECOSCREEN

## Saving Energy and Silent operation

"SILENT ECOSCREEN" for the following places, welfare or medical facilities and libraries.

Operated easily with the remote controller by anybody.

Thanks to the remote controller, SILENT ECOSCREEN is good for a high and wide space.

### ① Designed to be structures applicable on the environmental standard.

( 100V-110V : Less than **9W** )  
( 220V-230V : Less than **13W** )

### ② Operated easily with the remote controller. Simultaneous operation available.

### ③ Silent environment preserved by silent operation. (Noise level : approx . "35db")



**SHY CO., LTD.**

<http://www.shyzip.com> E-mail:info@shyzip.com



みんなで止めよう温暖化

チーム・マイナス6%

For the earth and human-beings

# SILENT ECOSCREEN

## ■ Saving energy

The electrical consumption

100V-110V	Less than <b>9W</b>
220V-230V	Less than <b>13W</b>

## ■ Silence

The quietness of the motor is approx. "35db"  
 "SILENT ECOSCREEN" is good for public facilities, bed rooms, and AV rooms.

## ■ Easy installation

Easily installed to be adjusted only with a screw driver.  
 Only plugged in a wall outlet.

## ■ Easy operation

A compact remote controller and a simple designed switch provide easy operation.  
 Available with centralized operation  
 Single operation : Max 5 sets

## ■ Centralized and synchronous control

The plural and various numbers of the main body can be operated to be stopped tidily.

## ■ Compact design

Only **12mm** (both sides **24mm**) as the space at each the end of screen, then available with cutting off much the sun light.  
 "SILENT ECOSCREEN" can be set almost on the same situation with the manual operated screen.

## ■ Safety design

The load sensing function.

※Note: The load sensing function should never be operated during each the setting procedure of upper and lower limit.

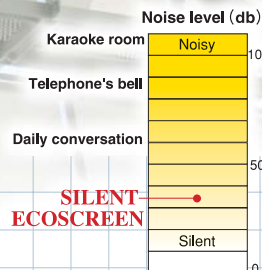
The limit setting about the rated time.

The operational time limit for the protection of the motor.

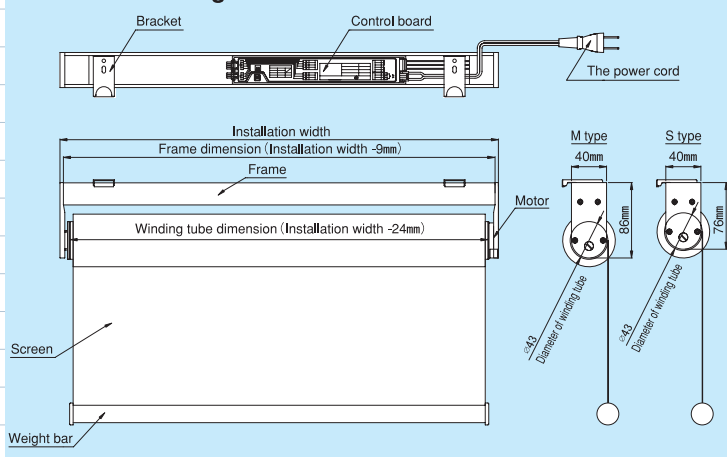
Correspondence with "RoHS".

## ■ Maximum production size

W:2000mm H:3000mm Max:6㎡

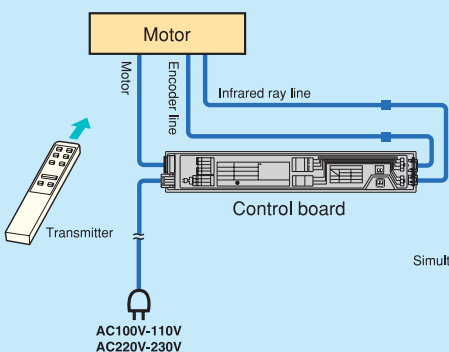


### Standard Drawing

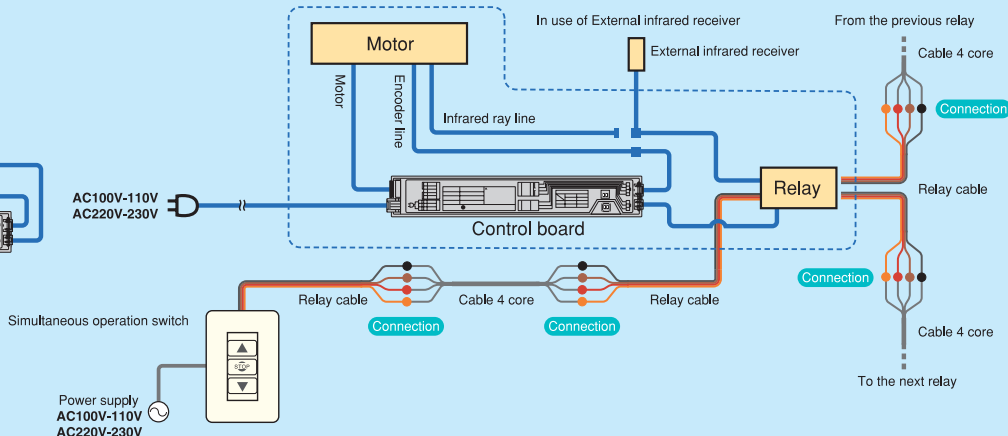


### Control method

#### ● Individual operation



#### ● Simultaneous operation



3455 Tsuoki, Sendo-machi, Tsu City,  
 Mie PREFE, Japan 514-0801  
 TEL. +81-59-226-3334 FAX. +81-59-224-8841  
 http://www.shyzip.com E-mail: info@shyzip.com