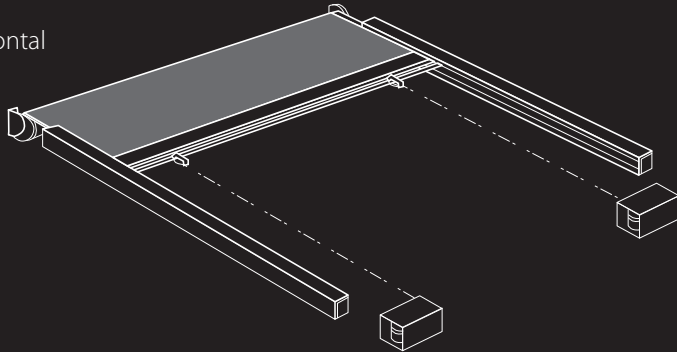
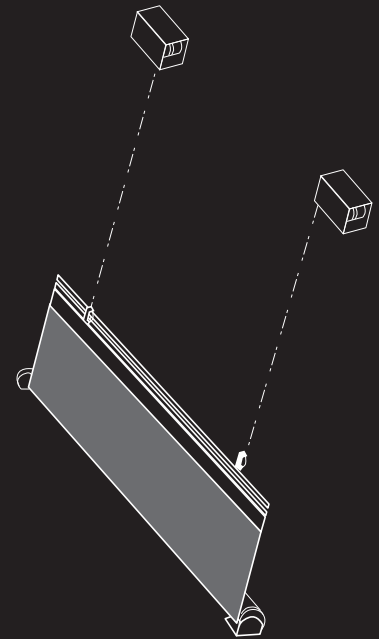


Horizontal

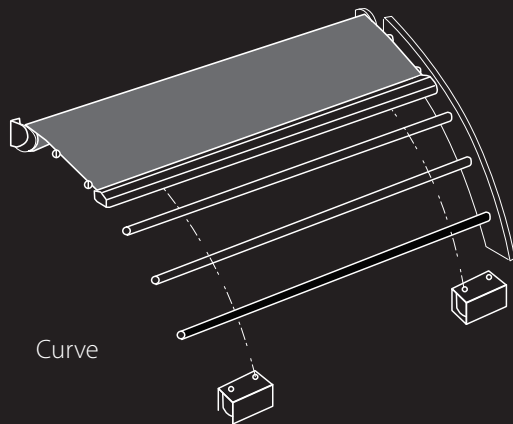


Bottom-up (Climber)



# SHY CONSTON SYSTEM

FOR ROLLER SCREENS

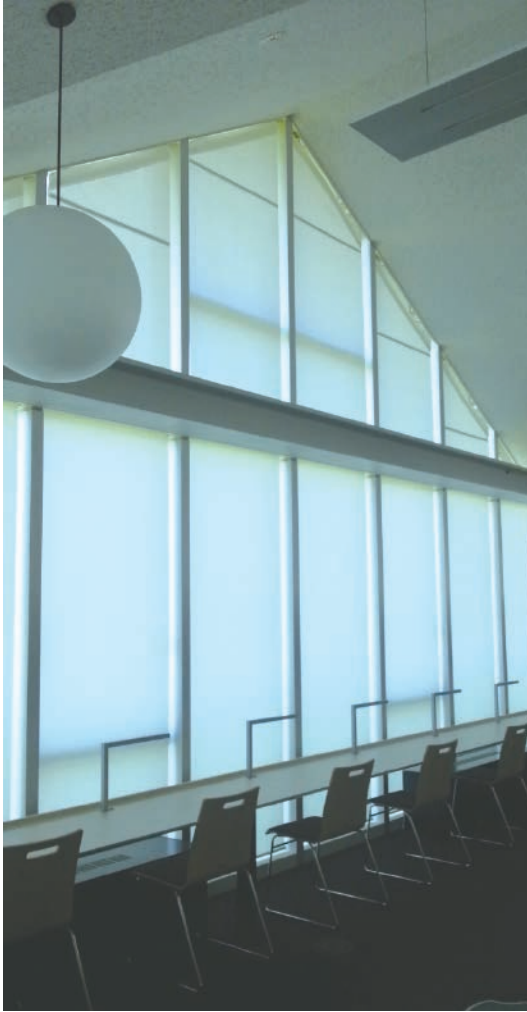


Curve

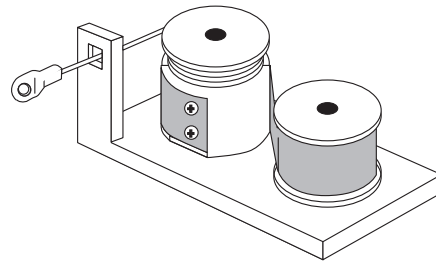
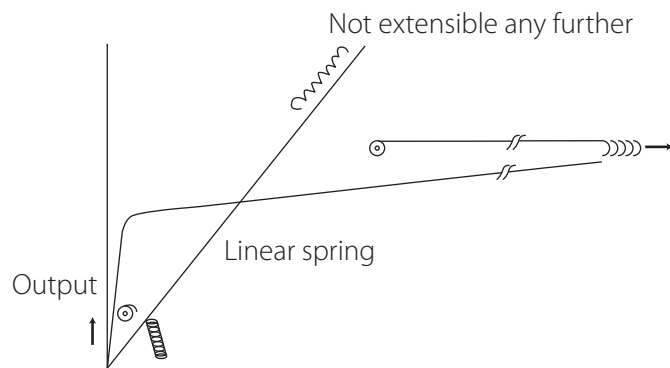
# SHY CONSTON SYSTEM

## Features

With "SHY CONSTON" applied, the constant torque revolving mechanism can be obtained.

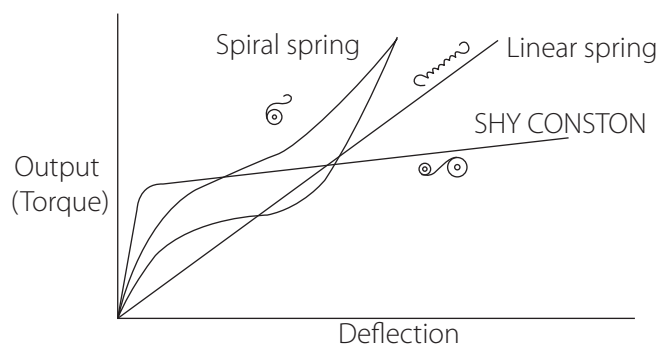


- Reaches maximum output in a half rotation of drum.
- Then its output can be nearly fixed.
- The Wire can be contained compactly in small drum, much longer than linear spring.



## CONSTANT SPRING FORCE

The output hardly changes its value, regardless of the wire length.



# Comparison with Spiral spring

- ▶ The output hardly changes its value regardless of the rotation number.
- ▶ Able to rotate almost its full length.
- ▶ Torque maintains constantly for a long time.
- ▶ High efficiency, no energy loss due to no friction between coils.
- ▶ Thus no need for lubricating oil.
- ▶ The output reaches high level immediately with slight rotation.
- ▶ With constant output, adjustment by the governor is unnecessary in many cases. Structure is simple, thus, troubles seldom occur.
- ▶ Torque is not elevated with higher coiling tightness. Thereby, coiling can be made easily, and parts with less strength can be used.



## Torque

3.2kgf(about31.36N)

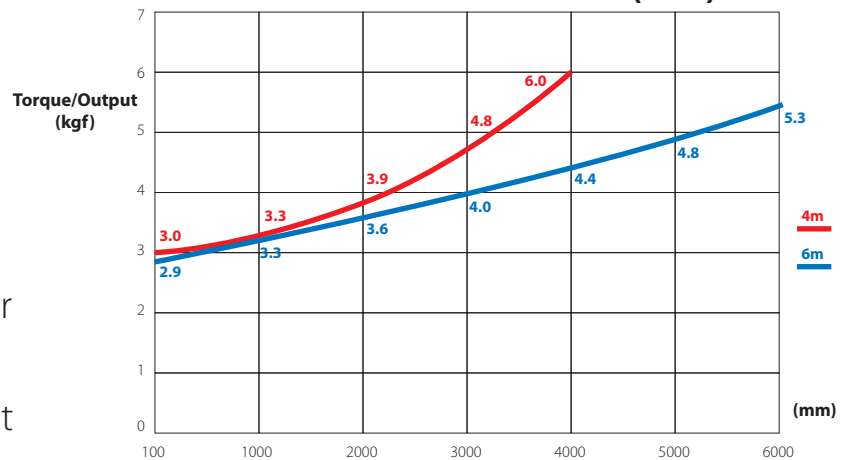
## Wire

6000mm length, Made of Kevlar

## Box color

Black with Trivalent Chrome paint

CONSTON Technical chart(SHY)



## SHY CONSTON75



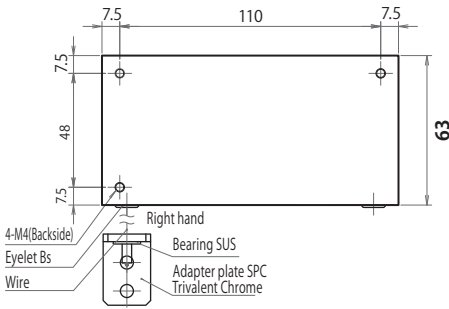
SHY

# CONSTON Specifications

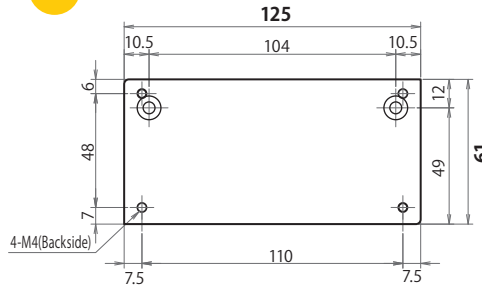
3.2kgf(31.36N)-6000mm

Dimension / 0.2 × 33 × 7,500  
 Output / 31.36N(3.2kgf)±15%  
 (at the point of 50mm of the wire length)  
 Wire length / 6000mm  
 D4 Drum Speed / 48rotations

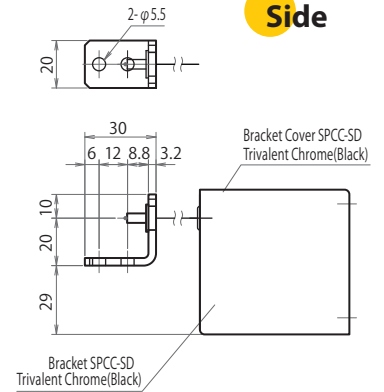
## Surface



## Front

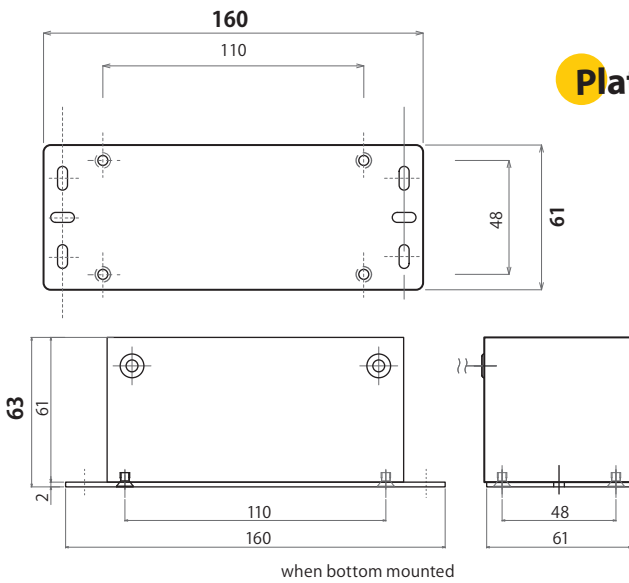


## Side



## Plate

Material / SPCC-SD  
 Treatment / Trivalent Chrome



\* Output tolerance needs to be confirmed by experimental production.

\* Operating noise is not covered by warranty.

## Output

- ▲ The wire output in the unit state will be the following reference value;  
 Wire stroke 50mm point (return): (reference value: 31.36N (3.2kgf))
- ▲ Wire stroke: 6000mm
- ▲ Maximum operating speed: 100mm/sec.
- ▲ Recommended operating environment: 5°C to 35°C with no condensation and no direct exposure to wind and rain.
- ▲ Storage environment: -10°C to 50°C with no condensation

**SHY** SHY CO.,LTD.

Head Quarters  
 3455 Tsuoki,Sendo-machi,Tsu City,Mie PREF.,Japan 514-0801  
 TEL +81-59-226-3334 FAX +81-59-224-8841 E-mail overseas@shyzip.com  
 Tokyo Branch  
 7F,UF Building 5,46-3 Kandasakumagashi,Chiyoda-ku,Tokyo,101-0026,Japan  
 TEL +81-3-5822-2282 FAX +81-3-5822-2283

**SHYZIP**<sup>®</sup>

21.01.1000